

TYP. INTERIOR PARTITION
SCALE: 1/2"=1'-0"
(BEARING AND NON-LOAD BEARING PARTITIONS)

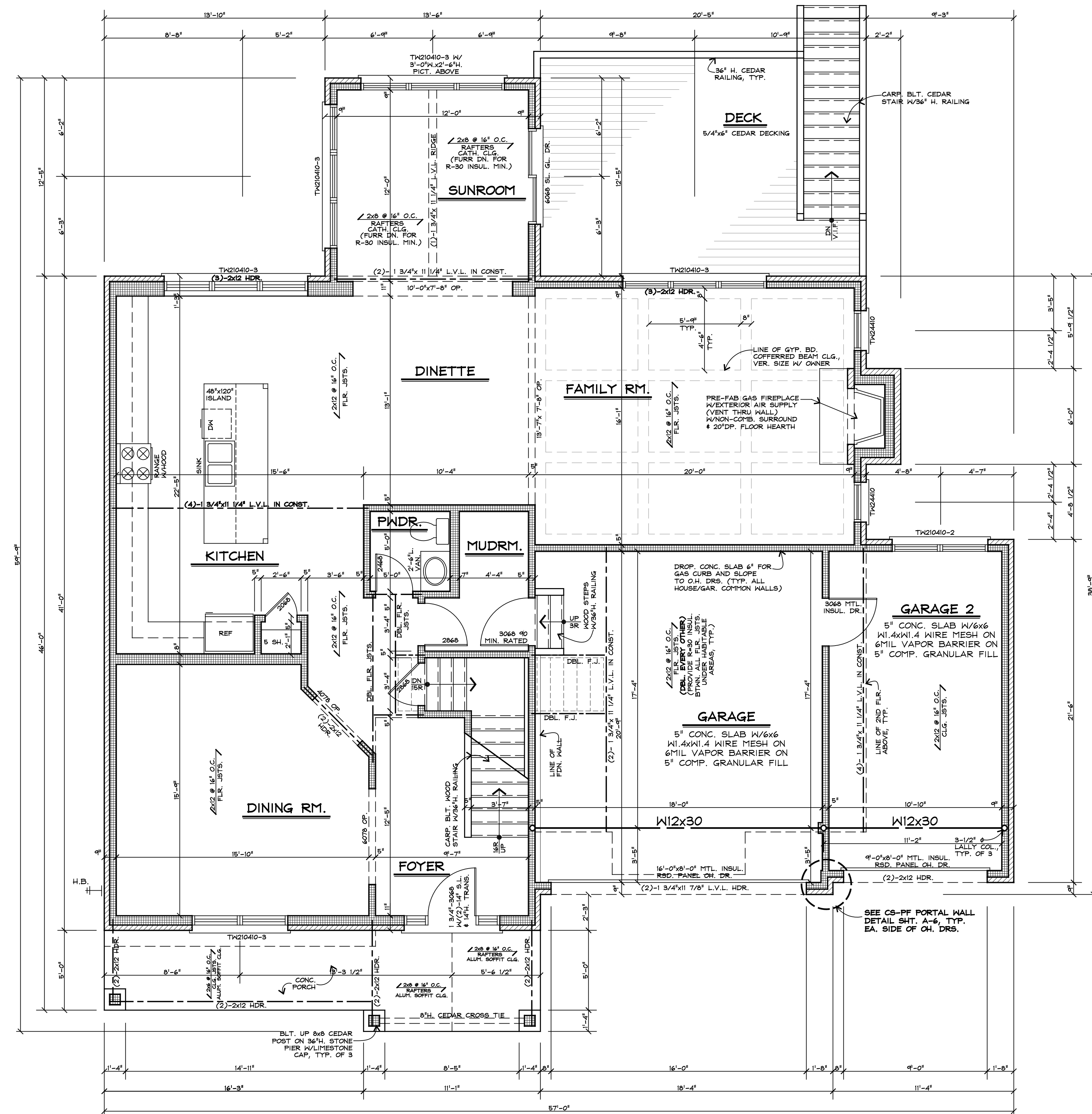
STRUCTURAL CALCULATIONS FOR LAMINATED LUMBER:

HDR. @ KITCHEN
w = 904#/ft. (Floor, wall, ceiling & ut. of material)
l = 10'-4"
A (4)-1 3/4"x11 1/4" L.V.L. HDR. CAN SUPPORT A TOTAL LOAD OF 9724#/ft. FOR THAT LENGTH.

HDR. @ SUNROOM/DINETTE
w = 800#/ft. (Floor, wall, ceiling, roof & ut. of material)
l = 12'-0"
A (2)-1 3/4"x11 1/4" L.V.L. HDR. CAN SUPPORT A TOTAL LOAD OF 1,0024#/ft. FOR THAT LENGTH.

HDR. @ O.H. GARAGE DR.
w = 368#/ft. (Floor, wall, roof, ceiling & ut. of material)
l = 16'-0"
A (2)-1 3/4"x11 7/8" L.V.L. HDR. CAN SUPPORT A TOTAL LOAD OF 4896#/ft. FOR THAT LENGTH.

(BOTTOM SILL HEIGHT OF ALL OPERABLE WINDOWS 5'-0" OR MORE ABOVE GRADE ON FIRST FLOOR TO BE 24" MIN. ABOVE FINISHED FLOOR.)



FIRST FLOOR PLAN

SCALE: 1/4"=1'-0"

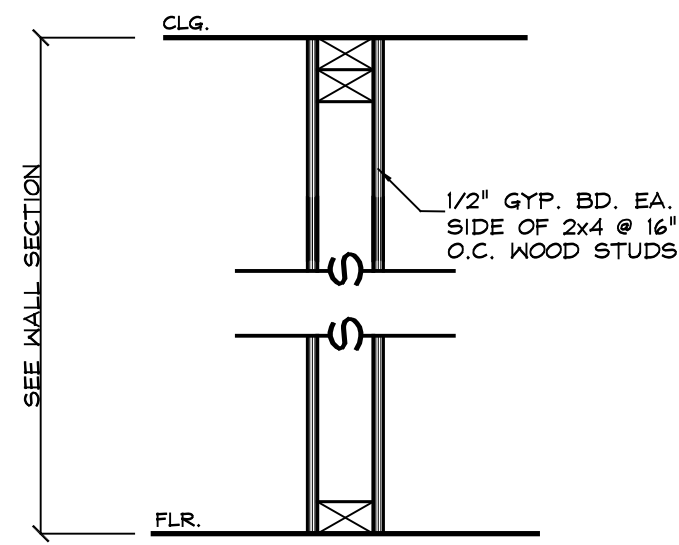
- NOTES:**
- 1.) PROVIDE DOUBLE JOISTS UNDER ALL PARTITIONS PARALLEL TO JOIST AND UNDER ALL POINT LOADS UNLESS NOTED OTHERWISE
 - 2.) PROVIDE DOUBLE STUD MINIMUM (NAILED TOGETHER) UNDER EA. END OF ALL HEADERS UNLESS NOTED OTHERWISE.
 - 3.) ALL STRUCTURAL LAMINATED WOOD MEMBERS TO HAVE Fb = 2960 PSI, E = 2,000,000, Fv = 285 PSI, Fc = (PERP) = 750 PSI & Fc (PARA) = 2500 PSI

FIRST FLOOR	1,645 S.F.
SECOND FLOOR	1,708 S.F.
TOTAL	3,353 S.F.

S.F. NUMBERS SHOWN ABOVE ARE APPROXIMATE AND ARE DETERMINED BY MEASURING THE EXTERIOR PERIMETER OF LIVABLE AREA, INCLUSIVE OF ALL WALLS & CLOSETS, EXCLUSIVE OF GARAGE AND THE 2ND FLR. PORTIONS OF ANY TWO STORY SPACES.

*A 03/21/17 ISSUE FOR PERMIT.

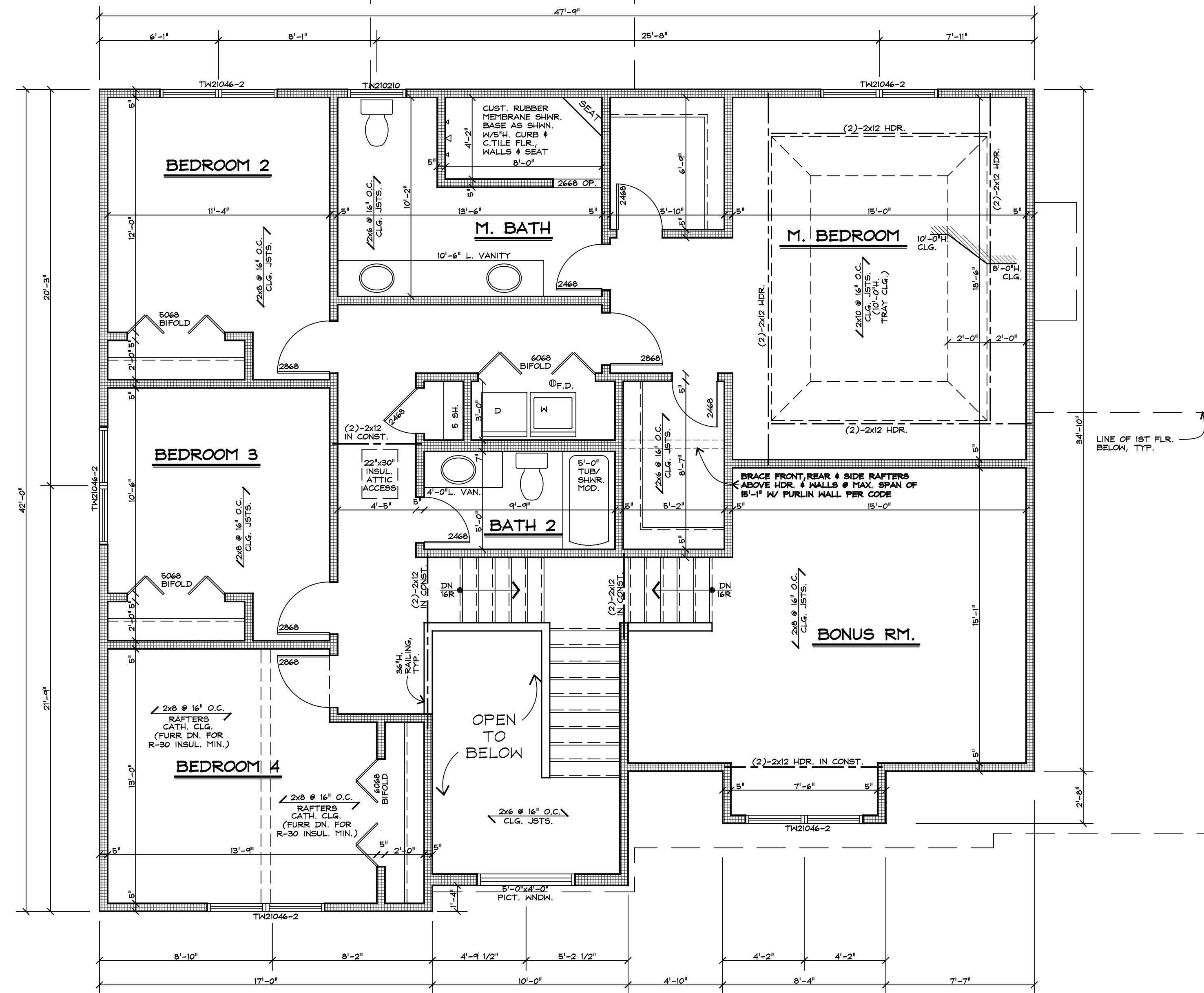
ISSUES
1207-L27



TYP. INTERIOR PARTITION

SCALE: 1/2"=1'-0"
(BEARING AND NON-LOAD BEARING PARTITIONS)

(BOTTOM SILL HEIGHT OF ALL OPERABLE WINDOWS ON SECOND FLOOR TO BE 24" MIN. ABOVE FINISHED FLOOR)



SECOND FLOOR PLAN

SCALE: 1/4"=1'-0"

NOTES:

- 1.) PROVIDE DOUBLE STUD MINIMUM (NAILED TOGETHER) UNDER EACH END OF ALL HEADERS UNLESS NOTED OTHERWISE
- 2.) ALL STRUCTURAL LAMINATED WOOD MEMBERS TO HAVE Fb = 2950 PSI, E = 2,000,000, FV = 285 PSI, FC(PERP) = 750 PSI & FC (PARA) = 2500 PSI

A 03/21/17 ISSUE FOR PERMIT.

ISSUES

1207-L27

A-5

OF 9